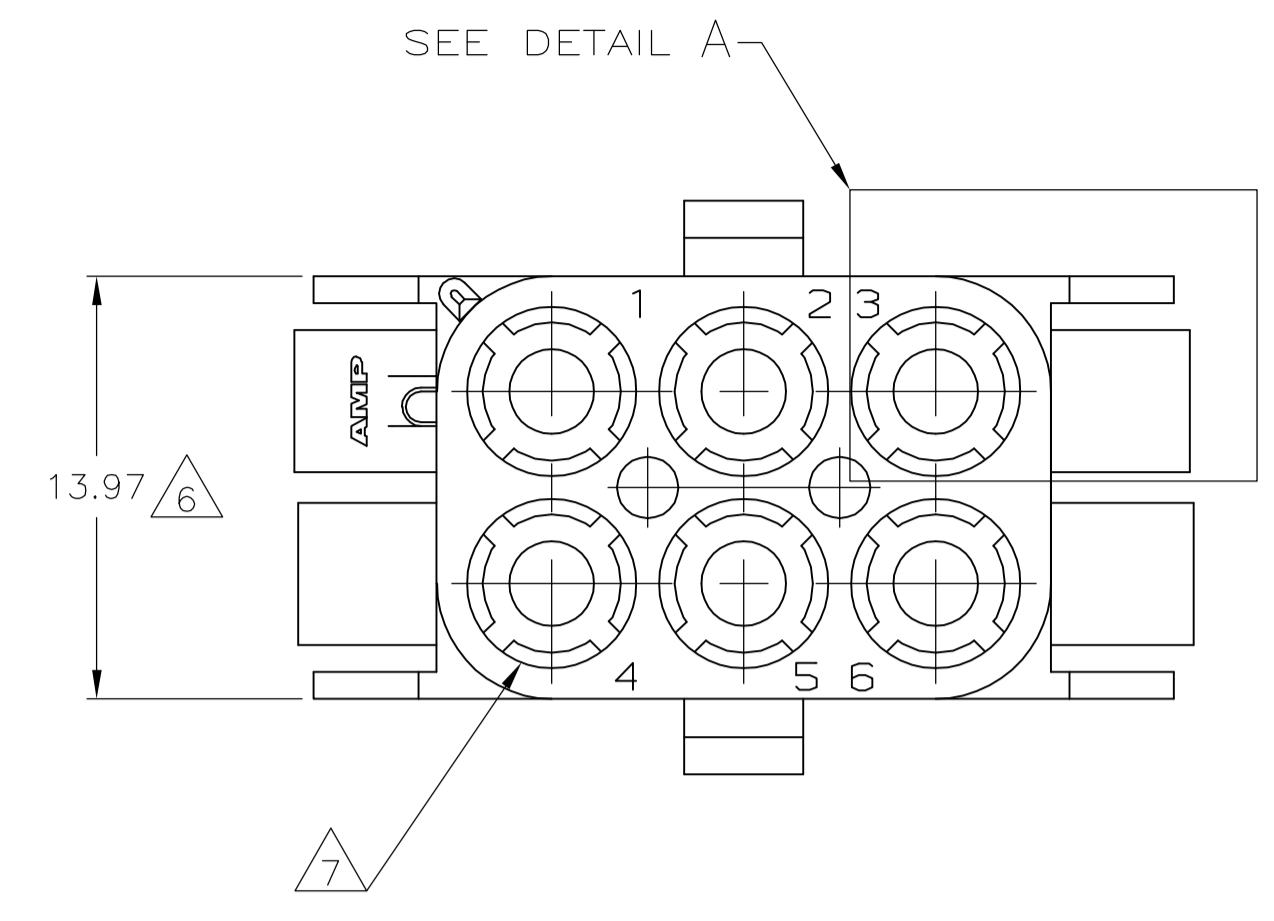
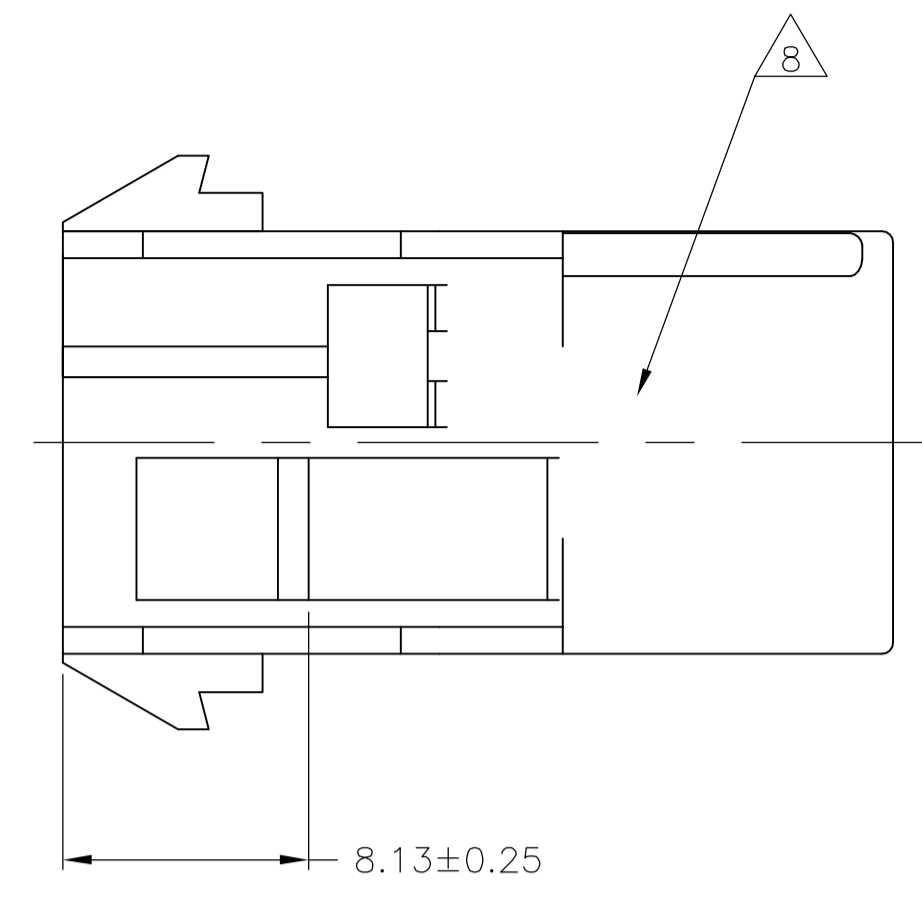
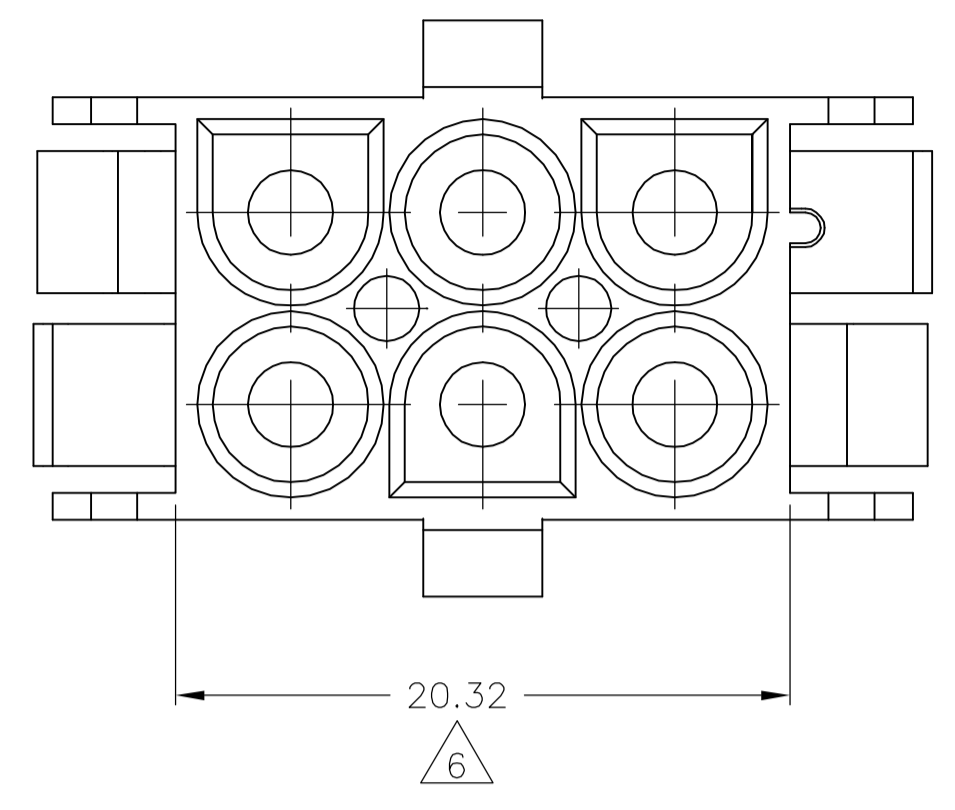
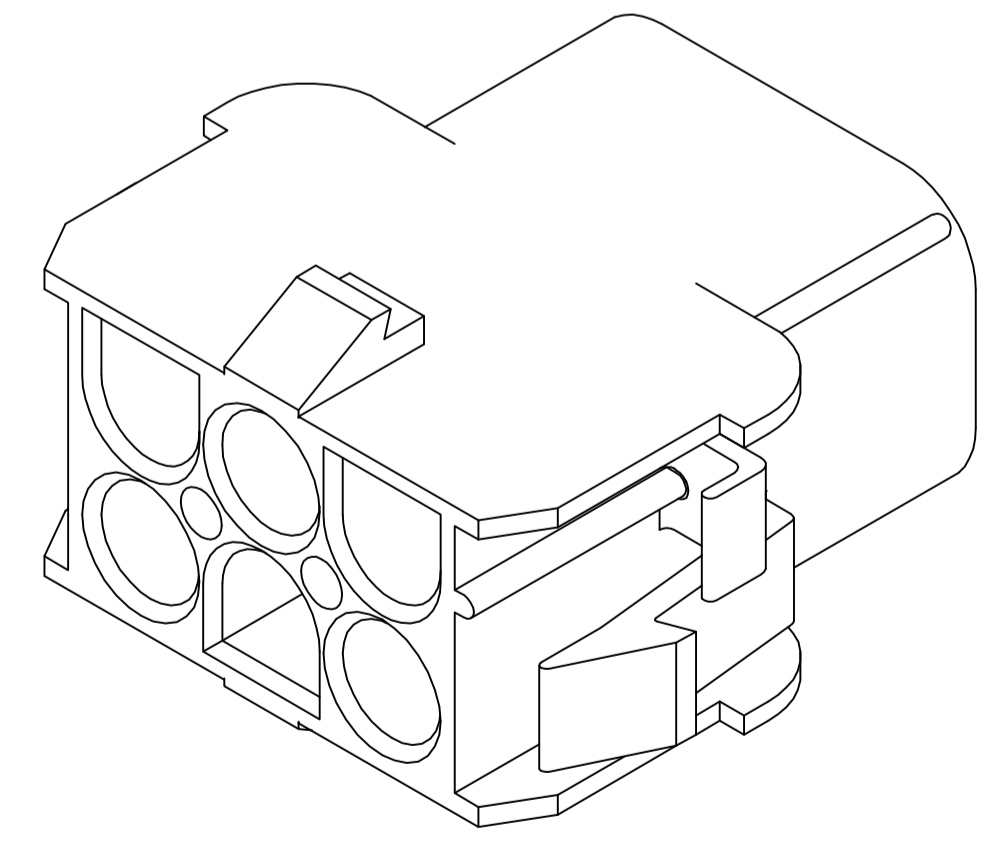
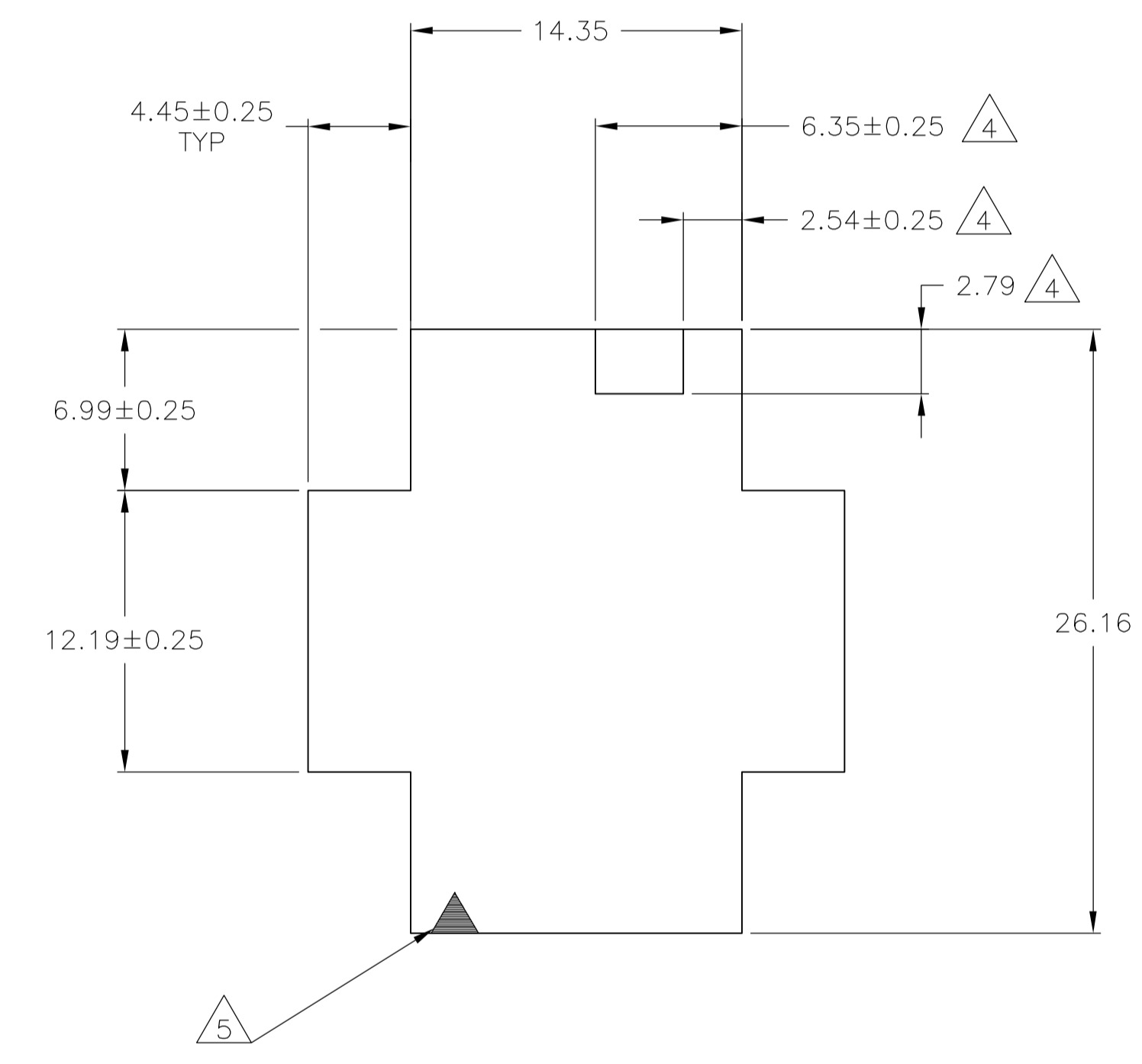
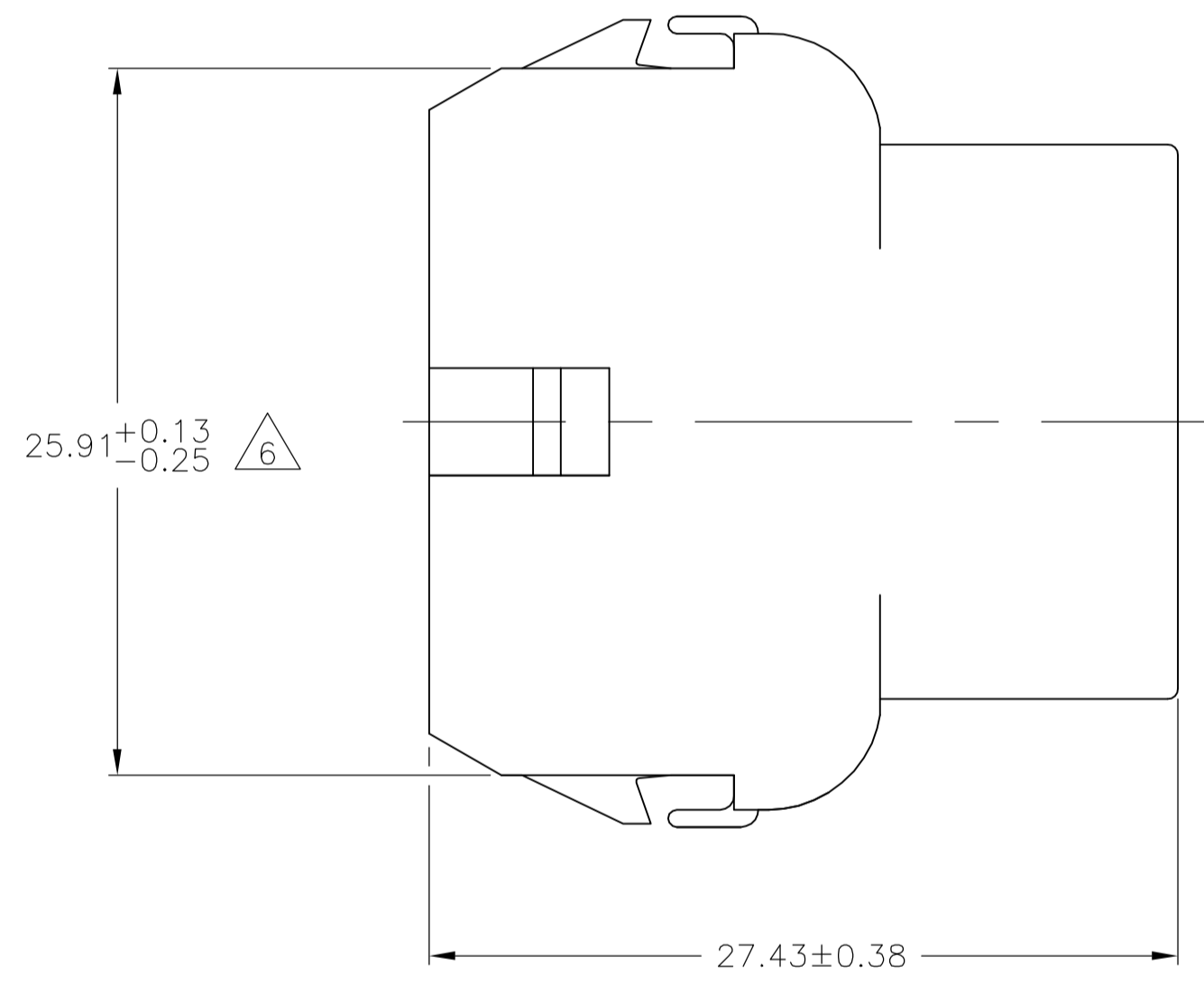
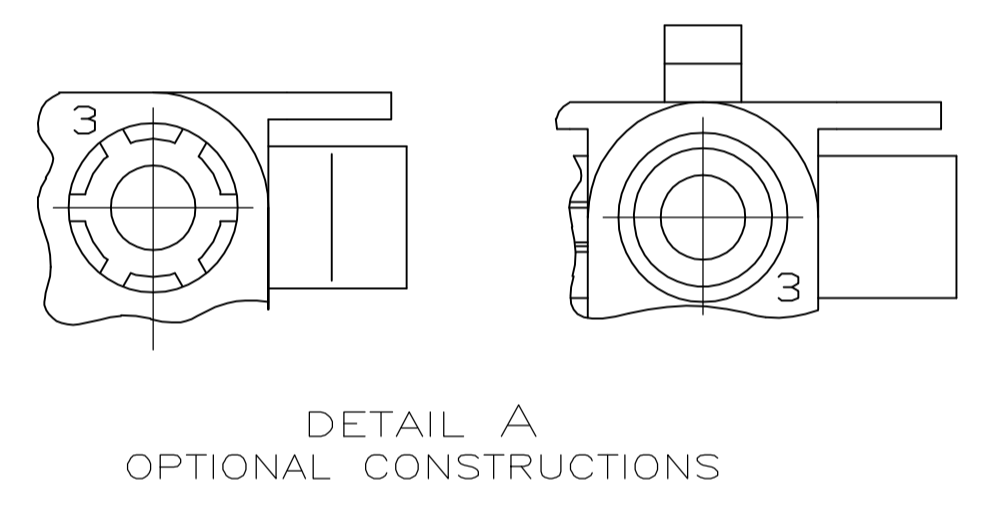


LOC		DIST		REVISIONS			
CM	00	REV	DATE	BY	APP'D	DATE	BY
AN	ECO-06-013891		01SEP06	BSV	GSR		



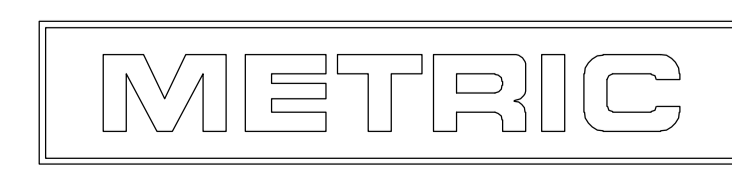
1. MATES WITH APPROPRIATE UNIVERSAL MATE-N-LOK™ PLUG.
2. RECOMMENDED PANEL THICKNESS 0.76 - 2.29.
3. PANEL MUST BE PUNCHED SO THAT THE HOUSING ENTERS THE PANEL IN THE SAME DIRECTION AS THE PUNCH.
4. OPTIONAL FOR KEYING HOUSING IN PANEL.
5. CIRCUIT NUMBER 1 LOCATION.
6. DIMENSION INDICATED IS AS MOLDED. ADDITIONAL GROWTH DUE TO SUBSEQUENT MOISTURE ABSORPTION MAY OCCUR.
7. FOUR RIBS EQUALLY SPACED, NO SPECIFIC ORIENTATION. NO RIBS OR SIX RIBS EQUALLY SPACED, NO SPECIFIC ORIENTATION, OPTIONAL.
8. UNDERWRITERS RECOGNIZED COMPONENT LOGO AND CSA CERTIFICATION LOGO TO BE LOCATED ONCE EACH ON SIDE OF HOUSING.



MM	IN	MM	IN
6.35	.250	27.43	1.080
4.45	.175	26.16	1.030
2.79	.110	25.91	1.020
2.54	.100	20.32	.800
2.29	.090	14.35	.565
0.76	.030	13.97	.550
0.38	.015	12.19	.480
0.25	.010	8.13	.320
0.13	.005	6.99	.275
MM	IN	MM	IN

CONVERSION TABLE

BLACK	1-480705-9
GREY	1-480705-8
BLUE	1-480705-6
GREEN	1-480705-5
YELLOW	1-480705-4
ORANGE	1-480705-3
RED	1-480705-2
BROWN	1-480705-1
NATURAL	1-480705-0
COLOR	PART NUMBER

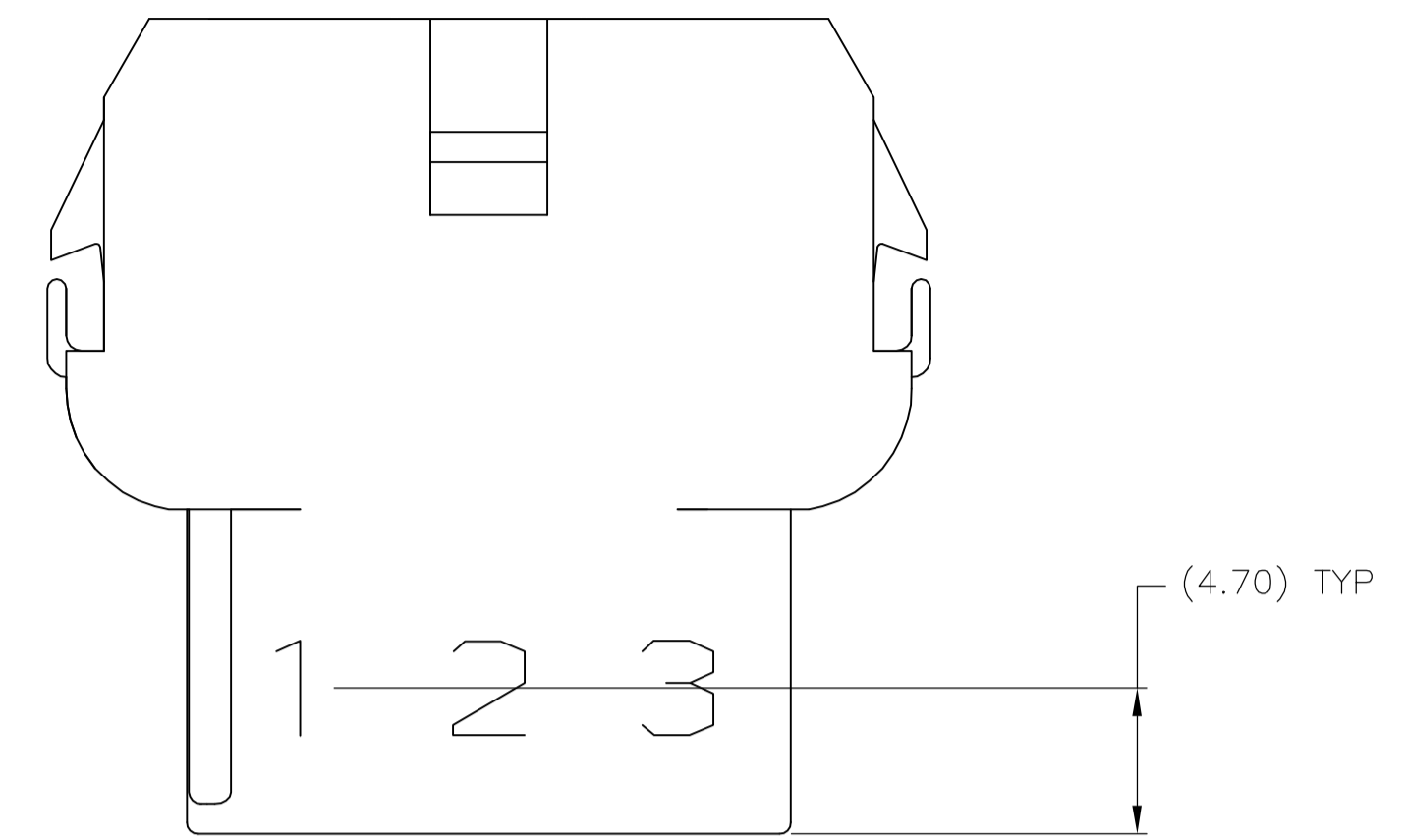


THIS DRAWING IS A CONTROLLED DOCUMENT.

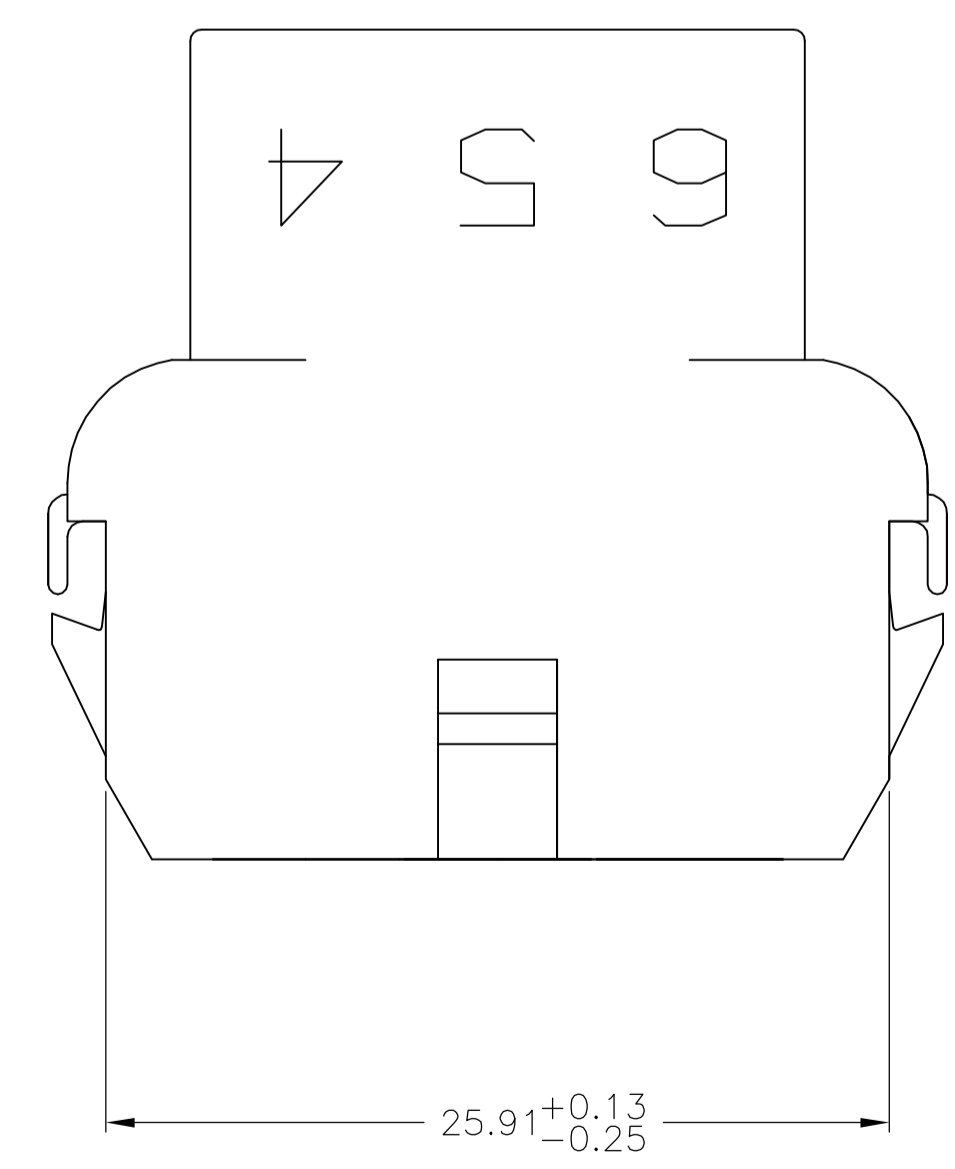
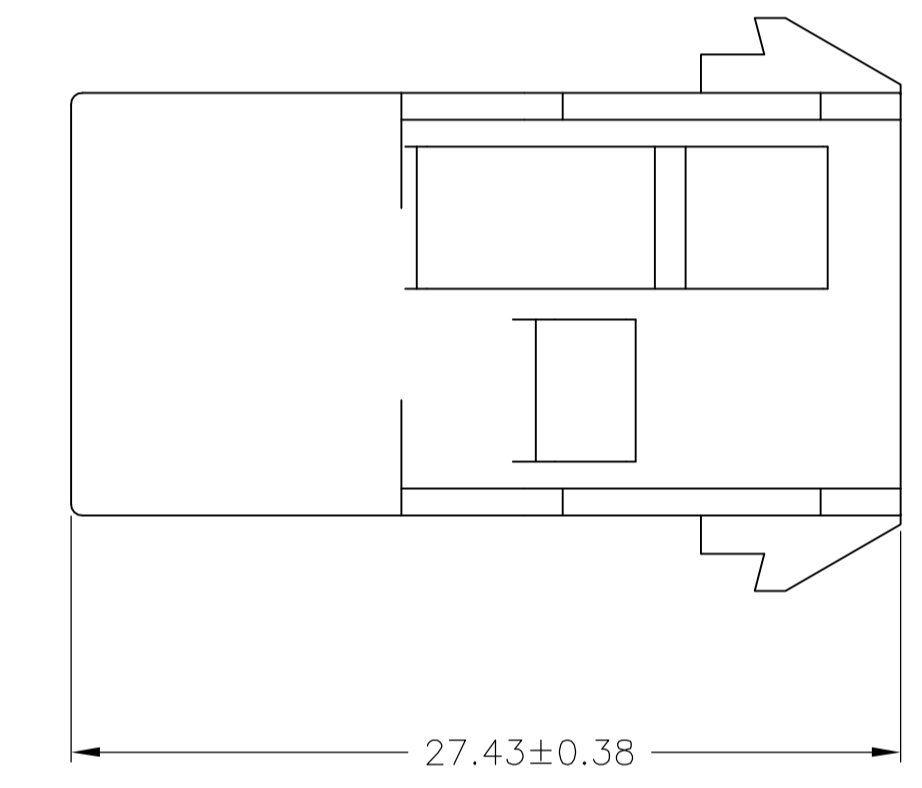
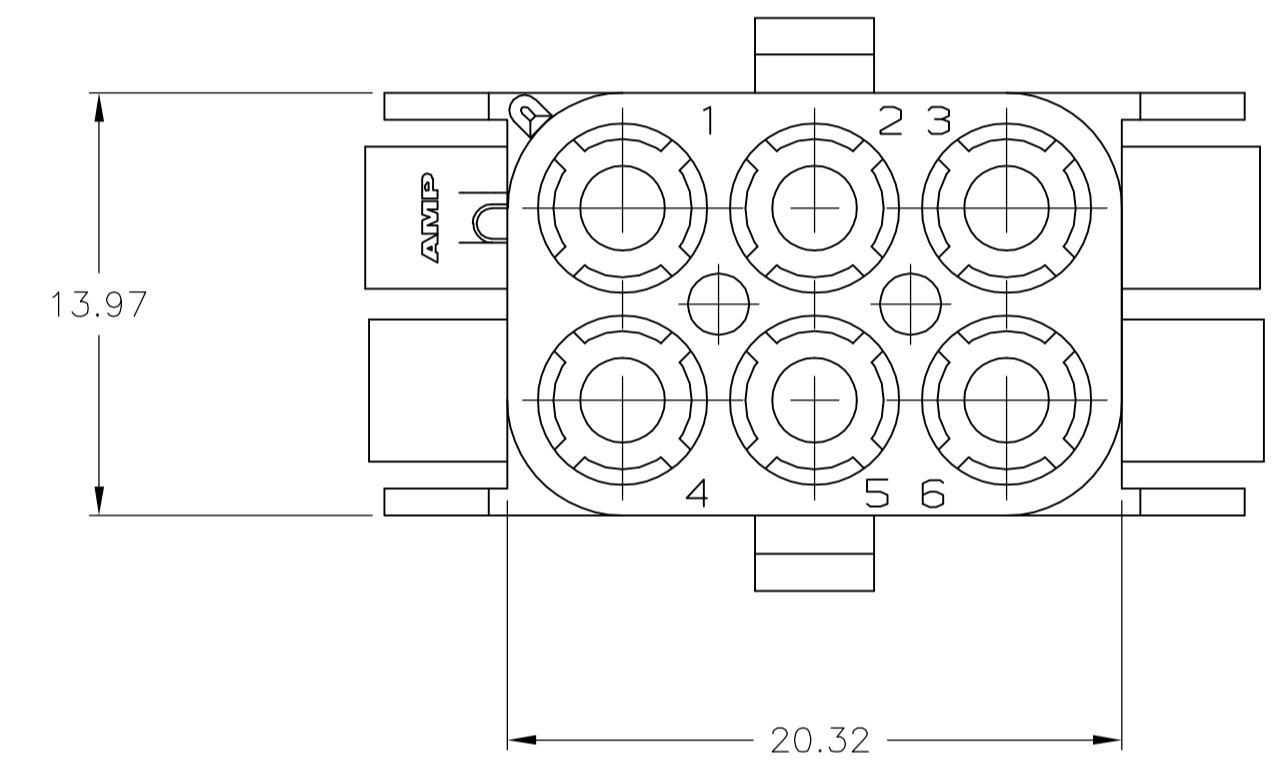
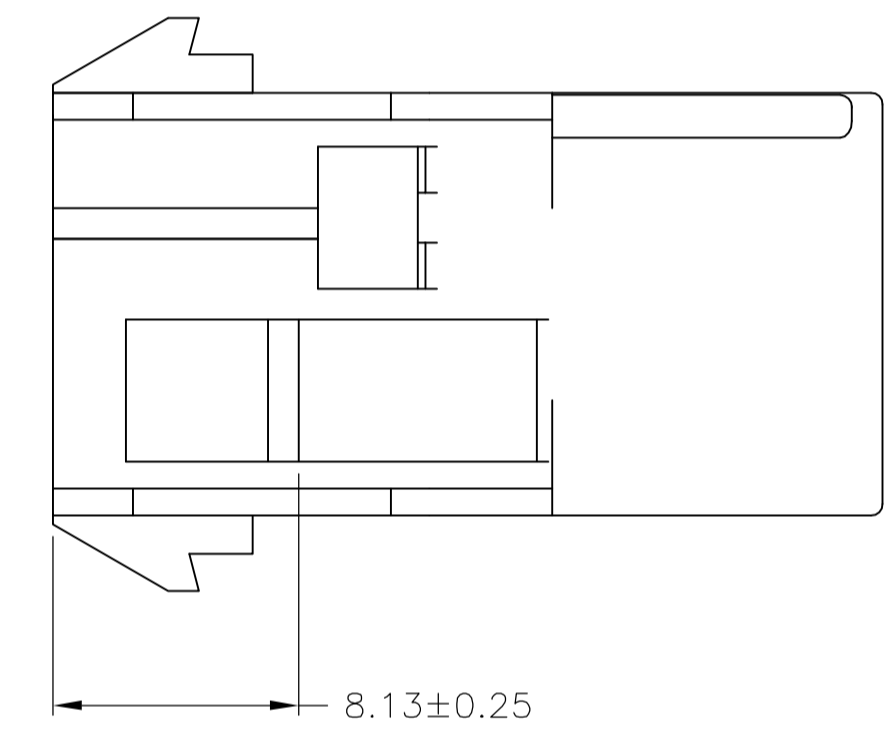
DIMENSIONS: mm	TOLERANCES UNLESS OTHERWISE SPECIFIED:	DWG: K. WHITAKER 28JUL04	CHK: S. RIDGILL 28JUL04	APVD: S. RIDGILL 28JUL04	NAME: Tyco Electronics Corporation Harrisburg, Pa 17105-3608
0.005	0.005	0.005	0.005	0.005	0.005
0.010	0.010	0.010	0.010	0.010	0.010
0.020	0.020	0.020	0.020	0.020	0.020
0.050	0.050	0.050	0.050	0.050	0.050
0.100	0.100	0.100	0.100	0.100	0.100
0.200	0.200	0.200	0.200	0.200	0.200
0.500	0.500	0.500	0.500	0.500	0.500
1.000	1.000	1.000	1.000	1.000	1.000
ANGLES	± 0.30°				
FINISH					
MATERIAL: NYLON, UL94V-2		SIZE: A1	SCALE: 4:1	WEIGHT: 00779	RESTRICTED TO: CAP, 6 CIRCUIT, UNIVERSAL MATE-N-LOK™
		SIZE: A1	SCALE: 4:1	WEIGHT: 00779	RESTRICTED TO: CAP, 6 CIRCUIT, UNIVERSAL MATE-N-LOK™
		SIZE: A1	SCALE: 4:1	WEIGHT: 00779	RESTRICTED TO: CAP, 6 CIRCUIT, UNIVERSAL MATE-N-LOK™
		SIZE: A1	SCALE: 4:1	WEIGHT: 00779	RESTRICTED TO: CAP, 6 CIRCUIT, UNIVERSAL MATE-N-LOK™

CUSTOMER DRAWING

LOC	DIST	REVISIONS			
CM	00	REV	DATE	BY	APPV
-	-	1	SEE SHEET 1	-	-



1. STAMP NUMBERS 3.18 HIGH AT WIRE END OF HOUSING (12 POINT DAVID TYPE); CLARIFICATION MARKS UNDER THE 6 & 9.
2. CHARACTERS TO BE STAMPED ON HOUSING IN A MANNER AS TO BE READ FROM WIRE END ONLY.
3. VIOLET, BLACK, BROWN, AND BLUE COLORED BLOCKS TO BE STAMPED WITH WHITE CHARACTERS. ALL OTHER COLORED BLOCKS TO BE STAMPED WITH BLACK CHARACTERS.



MM	IN	MM	IN
5.08	.200	-	-
4.70	.185	27.43	1.080
3.18	.125	25.91	1.020
0.38	.015	20.32	.800
0.25	.010	13.97	.550
0.13	.005	8.13	.320

CONVERSION TABLE

NATURAL	2-480705-0
COLOR	PART NO.

METRIC

THIS DRAWING IS A CONTROLLED DOCUMENT.

DIMENSIONS: mm	TOLERANCES UNLESS OTHERWISE SPECIFIED:	DWN K. WHITAKER 28JUL04		Tyco Electronics Corporation Harrisburg, Pa 17105-3608
0 PLC ± -	1 PLC ± -	CHK S. RIDGILL 28JUL04		NAME
2 PLC ± -	3 PLC ± .005	APVD S. RIDGILL 28JUL04	PRODUCT SPEC	CAP, 6 CIRCUIT, UNIVERSAL MATE-N-LOK™
4 PLC ± -	ANGLES ± 0.30°	APPLICATION SPEC	WEIGHT	RESTRICTED TO
MATERIAL	FINISH	SIZE	SCALE	REV
-	-	A1 00779	4:1	AN

CUSTOMER DRAWING SHEET 2 OF 2